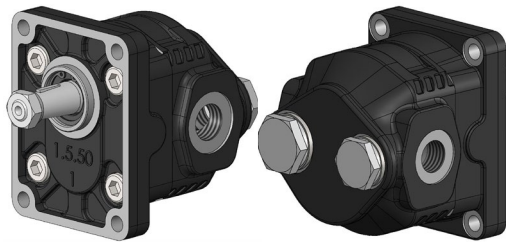


# Gear pumps and motors European flange version - Tapered shaft

We hereby inform you that we have expanded our range of pumps and gear motors with the European Flange and Tapered Shaft version - **2P - 3P Series and 2M - 3M Series**

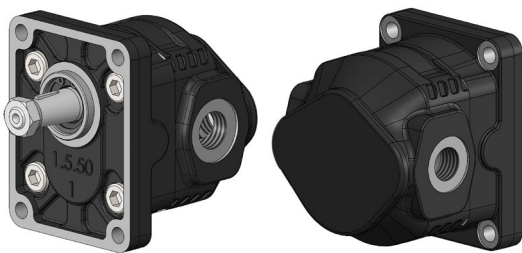


**2P pumps  
side and rear ports**

**Link:**  
Data sheet

Pump type	Displacement cm <sup>3</sup> /rev	Order code		IN ISO 228	OUT ISO 228	Working pressure			Max. continuous speed rpm	Min. speed rpm	Weight Kg
		Left	Right			P1	P2	P3			
						bar	bar	bar			
<b>2P 06</b>	6,3	10906000070	10906000061	G 3/4	G 1/2	285	300	320	4000	300	4,5
<b>2P 08</b>	8,18	10906000098	10906000089			285	300				
<b>2P 10</b>	10,06	10906000114	10906000105			280	295		3000		5
<b>2P 12</b>	11,92	10906000132	10906000123			275	290				
<b>2P 14</b>	13,8	10906000150	10906000141			265			2200		6
<b>2P 16</b>	16,03	10906000178	10906000169			262	1700				
<b>2P 20</b>	20,12	10906000212	10906000203			210			230		250
<b>2P 25</b>	25,15	10906000267	10906000258			180	200		220		6,5
<b>2P 32</b>	32,04	10906000338	10906000329			140	160		180		

P1 = Max. continuous pressure (100%)  
P2 = Max. Intermittent pressure (20 sec.max.)  
P3 = Max. peak pressure (2 sec.max.)

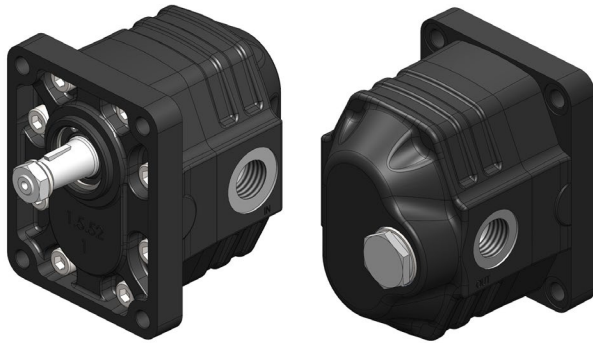


**2P pumps  
side ports**

**Link:**  
Data sheet

Pump type	Displacement cm <sup>3</sup> /rev	Order code		IN ISO 228	OUT ISO 228	Working pressure			Max. continuous speed rpm	Min. speed rpm	Weight Kg
		Left	Right			P1	P2	P3			
						bar	bar	bar			
<b>2P 06</b>	6,3	10906020076	10906020067	G 3/4	G 1/2	285	300	320	4000	300	4,5
<b>2P 08</b>	8,18	10906020094	10906020085			285	300				
<b>2P 10</b>	10,06	10906020110	10906020101			280	295		3000		5
<b>2P 12</b>	11,92	10906020138	10906020129			275	290				
<b>2P 14</b>	13,8	10906020156	10906020147			265			2200		6
<b>2P 16</b>	16,03	10906020174	10906020165			262	1700				
<b>2P 20</b>	20,12	10906020218	10906020209			210			230		250
<b>2P 25</b>	25,15	10906020263	10906020254			180	200		220		6,5
<b>2P 32</b>	32,04	10906020334	10906020325			140	160		180		

P1 = Max. continuous pressure (100%)  
P2 = Max. Intermittent pressure (20 sec.max.)  
P3 = Max. peak pressure (2 sec.max.)



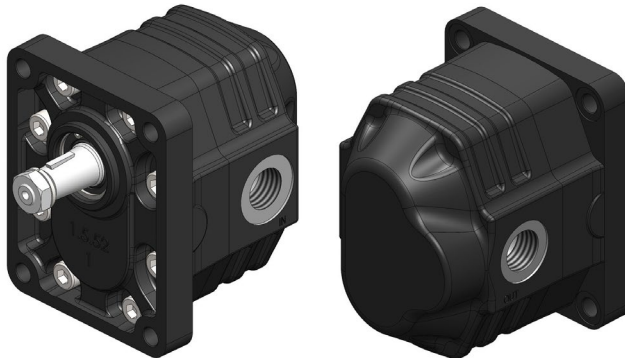
**3P pumps  
side and rear ports**



Link:  
[Data sheet](#)

Pump type	Displacement cm <sup>3</sup> /rev	Order code		IN ISO 228	OUT ISO 228	Working pressure			Max. continuous speed rpm	Min. speed rpm	Weight Kg
		Left	Right			P1	P2	P3			
		bar	bar			bar	bar	bar			
<b>3P 22</b>	22,15	10907500233	10907500224	G 3/4	G1/2	285	300	320	2800	300	10,5
<b>3P 27</b>	26,18	10907500288	10907500279			280	300	310	2500		11
<b>3P 34</b>	33,88	10907500359	10907500340			260	280	300	2100		11,2
<b>3P 38</b>	38,5	10907500395	10907500386	G 3/4	G 3/4	260	280	300	2000	300	11,3
<b>3P 43</b>	43,12	10907500448	10907500439			250	270	290			11,5
<b>3P 51</b>	50,82	10907500528	10907500519			230	250	270			11,7
<b>3P 61</b>	60,06	10907500626	10907500617	G 1		200	220	240	1800		12

P1 = Max. continuous pressure (100%)  
P2 = Max. Intermittent pressure (20 sec.max.)  
P3 = Max. peak pressure (2 sec.max.)



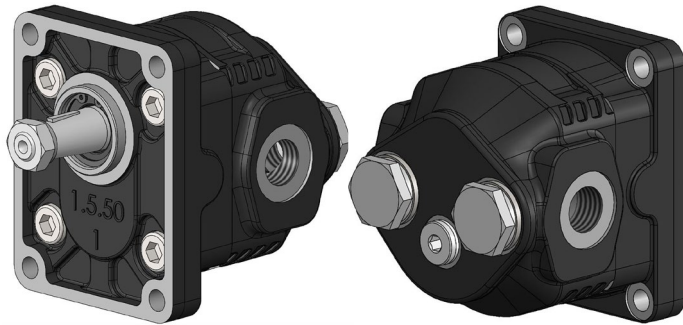
**3P pumps  
side ports**



Link:  
[Data sheet](#)

Pump type	Displacement cm <sup>3</sup> /rev	Order code		IN ISO 228	OUT ISO 228	Working pressure			Max. continuous speed rpm	Min. speed rpm	Weight Kg
		Left	Right			P1	P2	P3			
		bar	bar			bar	bar	bar			
<b>3P 22</b>	22,15	10907520239	10907520220	G 3/4	G1/2	285	300	320	2800	300	10,5
<b>3P 27</b>	26,18	10907520284	10907520275			280	300	310	2500		11
<b>3P 34</b>	33,88	10907520355	10907520346			260	280	300	2100		11,2
<b>3P 38</b>	38,5	10907520391	10907520382	G 3/4	G 3/4	260	280	300	2000	300	11,3
<b>3P 43</b>	43,12	10907520444	10907520435			250	270	290			11,5
<b>3P 51</b>	50,82	10907520524	10907520515			230	250	270			11,7
<b>3P 61</b>	60,06	10907520622	10907520613	G 1		200	220	240	1800		12

P1 = Max. continuous pressure (100%)  
P2 = Max. Intermittent pressure (20 sec.max.)  
P3 = Max. peak pressure (2 sec.max.)



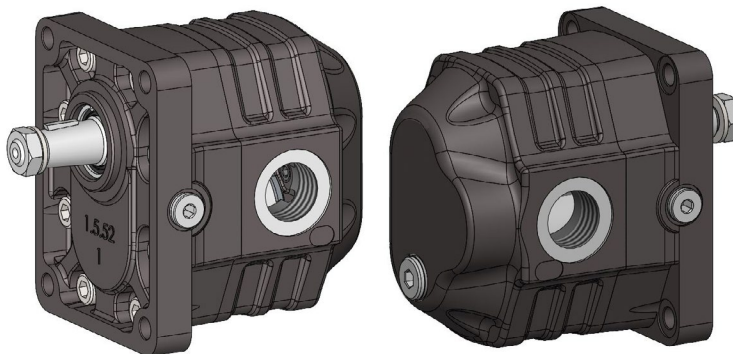
**2M motors  
side and rear ports**



Link:  
[Data sheet](#)

Motor type	Displacement cm <sup>3</sup> /rev	Order code	IN ISO 228	OUT ISO 228	Working pressure			Max. continuous speed rpm	Min. speed rpm	Weight Kg
					P1 bar	P2 bar	P3 bar			
2M 06	6,3	11106010064	G 1/2		285	300	320	4000	300	4,7
2M 08	8,18	11006010082			280	295				5,2
2M 10	10,06	11106010108			275	290				5
2M 12	11,92	11106010126			265		5,2			
2M 14	13,8	11106010144			260	290	5,5			
2M 16	16,03	11106010162			210	230	250	3800	5,7	
2M 20	20,12	11106010206			180	200	220	3500	6	
2M 25	25,15	11106010251	G 3/4		140	160	180	3000	300	6,5
2M 32	32,04	11106010322			140	160	180	2500		7,2

P1 = Max. continuous pressure (100%)  
P2 = Max. Intermittent pressure (20 sec.max.)  
P3 = Max. peak pressure (2 sec.max.)



**3M motors  
side ports**



Link:  
[Data sheet](#)

Motor type	Displacement cm <sup>3</sup> /rev	Order code	IN ISO 228	OUT ISO 228	Working pressure			Max. continuous speed rpm	Min. speed rpm	Weight Kg
					P1 bar	P2 bar	P3 bar			
3M 22	22,15	11107510227	G3/4	G3/4	285	300	320	3000	300	11
3M 27	26,18	11107510272	G3/4	G3/4	280	300	310	2800		11,3
3M 34	33,88	11107510343	G3/4	G3/4	260	280	300	2500		11,5
3M 38	38,5	11107510389	G3/4	G3/4	260	280	300	2500		12
3M 43	43,12	11107510432	G3/4	G3/4	250	270	290	2300		12,2
3M 51	50,82	11107510512	G1	G1	230	250	270	2300		12,5
3M 61	60,06	11107510610	G1	G1	200	220	240	2000		14

P1 = Max. continuous pressure (100%)  
P2 = Max. Intermittent pressure (20 sec.max.)  
P3 = Max. peak pressure (2 sec.max.)

For any information you may need, please contact export department.